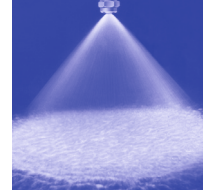




Tangential-flow full cone nozzles

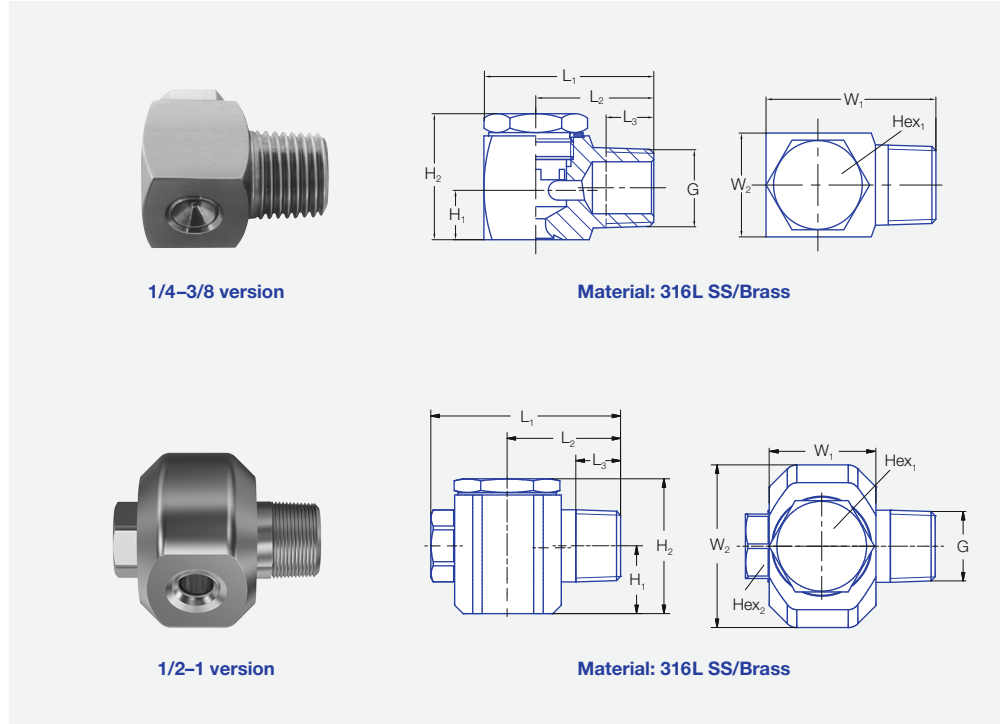
Series 422/423



Tangential design has no internal swirl device for maximum clog resistance.
Stable spray angle.
Uniform spray.

Applications:

Cleaning and washing process, e.g. window cleaning, NBC protection, droplet separator cleaning, foam recipitation, cooling of gaseous and solids.





1/4-3/8 version

Material: 316L SS/Brass

1/2-1 version

Material: 316L SS/Brass

Dimensions [mm]									
G	L ₁	L ₂	L ₃	H ₁	H ₂	W ₁	W ₂	Hex ₁	Hex ₂
1/4 BSPT	28.0	20.0	9.7	8.0	21.0	15.6	16.0	11	-
3/8 BSPT	36.0	25.0	10.1	11.0	26.7	23.2	22.0	19	-
1/2 BSPT	56.0	33.5	13.2	20.0	40.0	32.0	48.0	27	19
3/4 BSPT	65.5	38.5	14.5	23.5	57.0	40.0	63.0	36	27
1 BSPT	85.0	48.5	16.8	27.3	66.0	55.0	78.0	41	36

Spray angle 	Ordering no.					B Ø [mm]	E Ø [mm]	V̇ [l/min]						Spray diameter D at p = 1-10 bar 		
	Type	Code						p [bar]						H = 200 mm	H = 500 mm	
		1/4 BSPT	3/8 BSPT	1/2 BSPT	3/4 BSPT			1 BSPT	0.5	1.0	2.0	3.0	5.0			10.0
60°	422.644	-	CE	-	-	-	3.00	3.00	2.00	2.83	4.00	4.90	6.32	8.94	225	510
90°	422.406	CC	-	-	-	-	1.40	1.40	0.50	0.71	1.00	1.22	1.58	2.24	380	860
	422.486	CC	-	-	-	-	1.85	1.85	0.80	1.13	1.60	1.96	2.53	3.58	380	860
	422.566	CC	-	CG	-	-	2.25	2.25	1.25	1.77	2.50	3.06	3.95	5.59	380	860
	422.606	-	CE	-	-	-	2.55	2.55	1.57	2.23	3.15	3.86	4.98	7.04	380	860
	422.646	-	CE	-	-	-	2.90	2.90	2.00	2.83	4.00	4.90	6.32	8.94	390	960
	422.726	-	CE	-	-	-	3.70	3.70	3.15	4.45	6.30	7.72	9.96	14.09	390	960
	422.766	-	CE	-	-	-	4.15	4.15	4.00	5.66	8.00	9.80	12.65	17.89	390	960
	422.806	-	CE	-	-	-	4.65	4.65	5.00	7.07	10.00	12.25	15.81	22.36	390	960
	422.846	-	CE	-	-	-	5.30	5.30	6.25	8.84	12.50	15.31	19.76	27.95	390	960
	422.886	-	CE	-	-	-	5.85	6.00	8.00	11.31	16.00	19.60	25.30	35.78	390	960
422.966	-	-	CG	-	-	-	8.00	8.00	12.50	17.68	25.00	30.62	39.53	55.90	390	960

B = bore diameter · E = narrowest free cross section
Materials on request

Example for ordering: Type **422.644** + Code **CE** = Ordering no. **422.644.30.CE**

