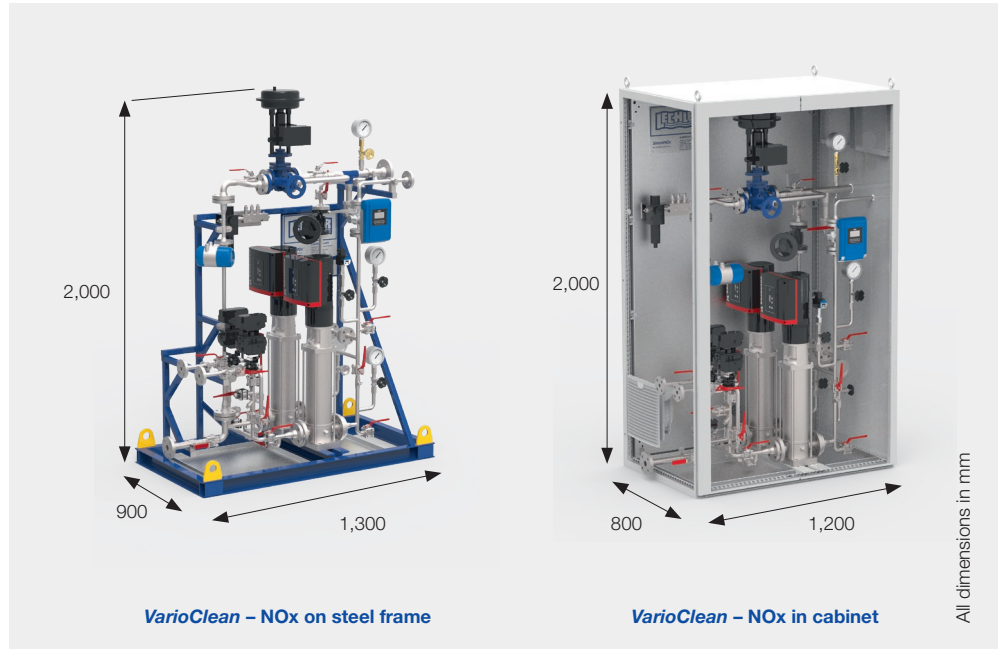


VarioClean – NOx

The powerful starter system

Lechler VarioClean – NOx is the entry-level system for the SNCR process. Standardized units with fixed components allow for affordable pricing, all while maintaining Lechler's famous high quality standard.

Included with delivery are a valve skid unit including pumps and fittings for media control as well as individual modules enabling the lance levels to be connected and disconnected. The components of the valve skid unit are connected with pipes and assembled on a compact base frame including all brackets. Assembling in a two-door closed cabinet is also possible as an option.



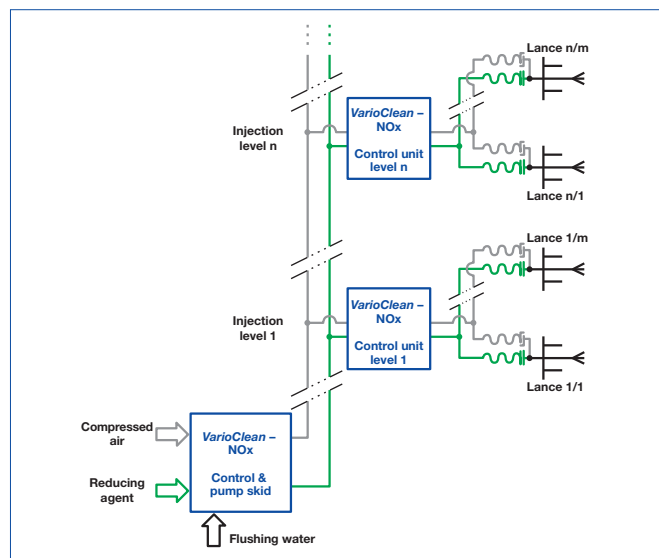
VarioClean – NOx on steel frame

VarioClean – NOx in cabinet

Features:

- Two sizes
- Reducing agent injection quantities of 0.005–1.0 m³/h or 1.0–2.7 m³/h
- Frequency-controlled pumps with magnetic couplings (duplicated)
- Permanently technically sealed in accordance with DIN EN 1127-1
- Optional integrated gas detector
- Integrated drip tray
- In accordance with DIN EN 1295 2-14: X-ray examination of 10% of all welds capable of validation
- 3.1 material certificates in accordance with DIN EN 10204
- Integrated flush connection
- Integrated air flushing for non-active levels
- Standardized technical documents for simple implementation in higher-level operating documentation

The Lechler VarioClean – NOx system is an independent SNCR system and is not designed for later upgrading with more efficient Lechler systems.



Lechler VarioClean – NOx system