

ENGINEERING  
YOUR SPRAY SOLUTION

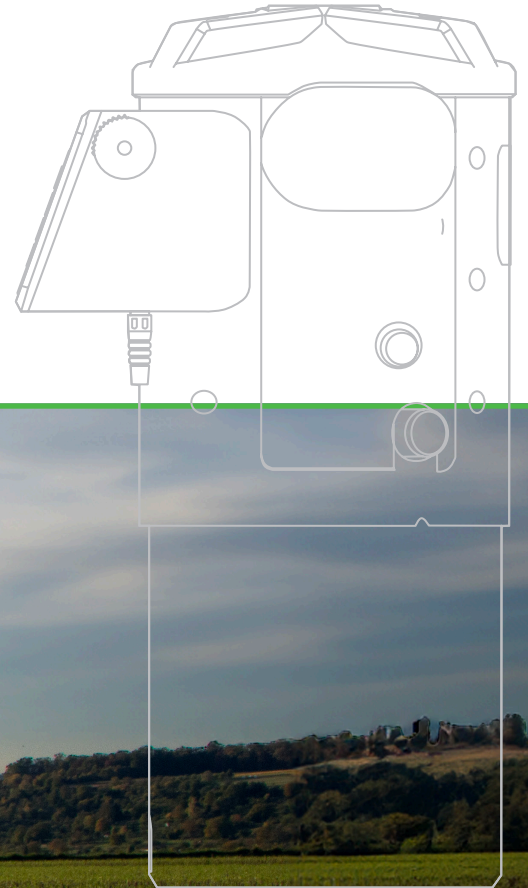


NEW

## ➤➤ LECHLER XAMOUNT

Safe dosing and dispensing of  
liquid crop protection products

XAMOUNT



AGRICULTURE





# SAFE, EFFICIENT TRANSFER OF CROP PROTECTION PRODUCTS



Liquid crop protection products must be handled safely. At the same time, this must not be at the expense of efficiency. With the Lechler XAMOUNT, a system is available for fast, contactless removal and precise dosing. It is compatible with the easyconnect-cap.

The easyconnect system is a closed transfer system (CTS) for liquid crop protection products. With the Lechler XAMOUNT, the individual work steps from locking to removal of the cleaned canister run fully automatically. You can choose between partial removal (also for multiple canisters) and complete removal of the entire canister contents. The weighing system works independently of the viscosity of the crop protection agent.

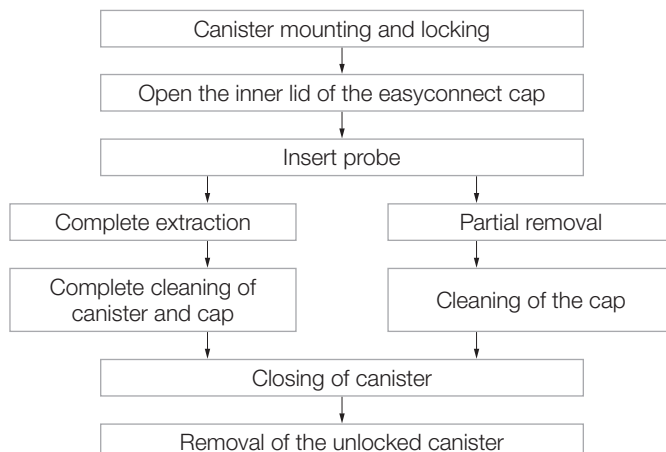
The non-contact filling of the crop protection device thus ensures the best possible protection for the user.

## Advantages

- Easy handling of 1- to 15-liter canisters
- High dosing accuracy  
+/- 2.5 % according to ISO 21191
- Improved, fast canister cleaning
- Easy attachment through single point suspension
- Power supply 12 V via plug to the vehicle
- Water and dust protection of coupler and display
- Easy operation via display even with gloves
- Fully automatic extraction and cleaning
- Compatible with easyconnect-caps



## Process steps of removal



## Easyconnect

The easyconnect system was developed from the cooperation of numerous industry partners in order to ensure the safe handling of crop protection products. Lechler supports the initiative as a licensee.



The easyconnect system consists of two components:

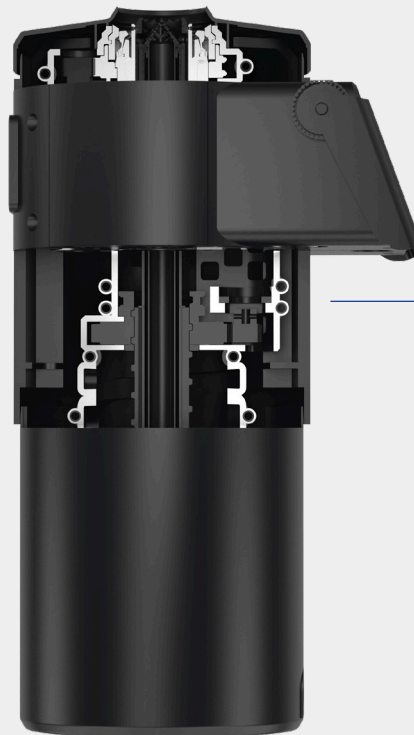
- the reclosable, leak-proof cap with integrated inner lid on the canister
- the CTS Coupler

The CTS Coupler can be used in combination with suction and rinsing lines in the following ways:

- mobile at the crop protection device
- stationary at the filling station

#### Weighing unit

- Three load cells
- Vibration compensation
- Trouble-free weighing
- No contact with crop protection products



#### Innovative drives

- 12 V motors
- Automatic locking and unlocking of the canister
- Probe movement and rotation for canister and lid cleaning

#### Clear water valve

- Electric valve
- Automatic control of the cleaning process



#### Cleaning nozzle

- High spray impact for canister cleaning
- Maximum cleaning effect by mounting the cleaning head on a vertically movable and rotating probe (electrically driven)
- Adaptive cleaning program

**ENGINEERING  
YOUR SPRAY SOLUTION**



**Lechler GmbH · Precision Nozzles · Agricultural Spray Nozzles and Accessories**  
**Ulmer Strasse 128 · 72555 Metzingen, Germany · Phone +49 7123 962-0 · info@lechler.de · www.lechler-agri.com**

**China:** Lechler Nozzle Systems (Changzhou) Co., Ltd. · No.99 Decheng Rd, Jintan, Changzhou, JS 213200, P.R.C · Phone +86 400-004-1879 · info@lechler.com.cn

**France:** Lechler France SAS · Parc de la Haute Maison · 6, Allée Képler, Bâtiment C2 · 77420 Champs-sur-Marne · Phone +33 1 49882600 · info@lechler.fr

**India:** Lechler (India) Pvt. Ltd. · Plot B-2 · Main Road · Wagle Industrial Estate Thane · 400604 Maharashtra · Phone +91 22 40634444 · lechler@lechlerindia.com

**Italy:** Lechler Spray Technology S.r.l. · Via Don Dossetti, 2 · 20074 Carpiano (Mi) · Phone +39 02 98859027 · info@lechleritalia.com

**Spain:** Lechler, S.A. · C / Isla de Hierro, 7 – Oficina 1.3 · 28703 San Sebastián de los Reyes (Madrid) · Phone +34 91 6586346 · info@lechler.es



Edition 10/2024 · EN · 1,000  
Subject to technical modifications or mistakes.