

ENGINEERING
YOUR SPRAY SOLUTION

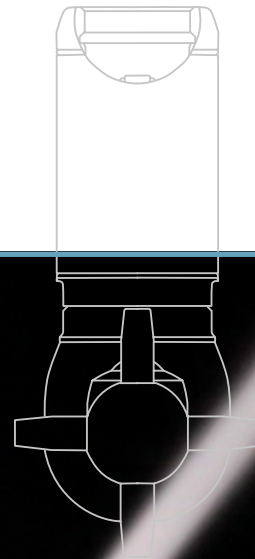


NEW

»» HIGH IMPACT TANK CLEANING MACHINE MESHCLEAN+

Series 5T5

GENERAL INDUSTRY



High impact tank cleaning machine

MeshClean+

Series 5T5

Features:

- High efficiency thanks to especially powerful solid jet nozzles
- Also suitable for large tanks with persistent soiling
- Active self-cleaning through special nozzle geometry
- Particularly low-maintenance



Function video
www.lechler.com/de-en/medialibrary/videos-general-industry
 Or scan the QR code.

Series 5T5

Technical data:



Maximum operating temperature
 150 °C
 150 °C (ATEX)



Maximum ambient temperature
 150 °C
 150 °C (ATEX)



Installation
 Operation in every installation position



Bearing
 Ball bearing



Material
 Stainless steel 1.4404 (316L), PTFE, PEEK, EPDM or FKM



Weight
 4.0 kg



Surface quality
 $Ra \leq 0.8 \mu m$



Surface quality
 $Ra \leq 1.6 \mu m$



Steam suitability
 Suitable



Insertion diameter
 120 mm



Recommended filter
 Line strainer with a mesh size of 0.2 mm/80 mesh



Recommended operating pressure
 5 bar



Adapter
 1 1/2" BSP is compatible with HygienicFit



Rotation monitoring
 Sensor-compatible

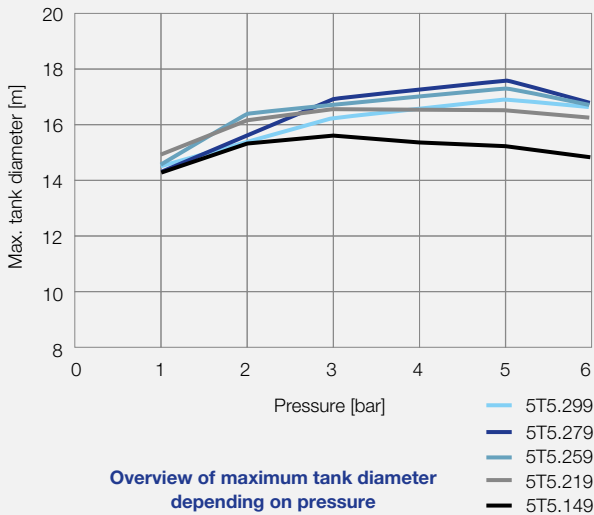


Maintainable

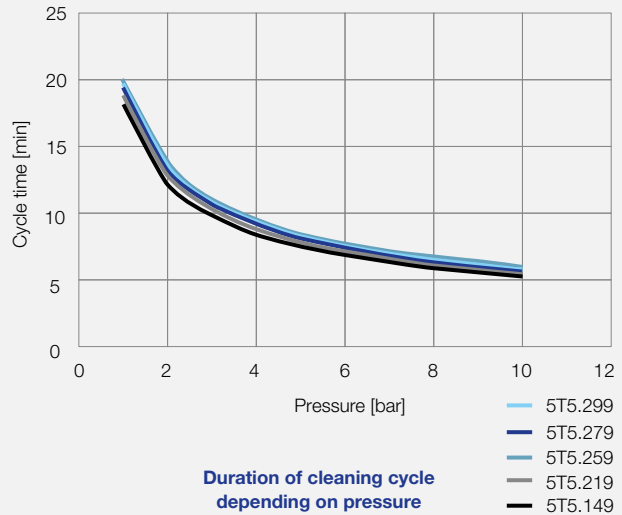


Max. tank diameter

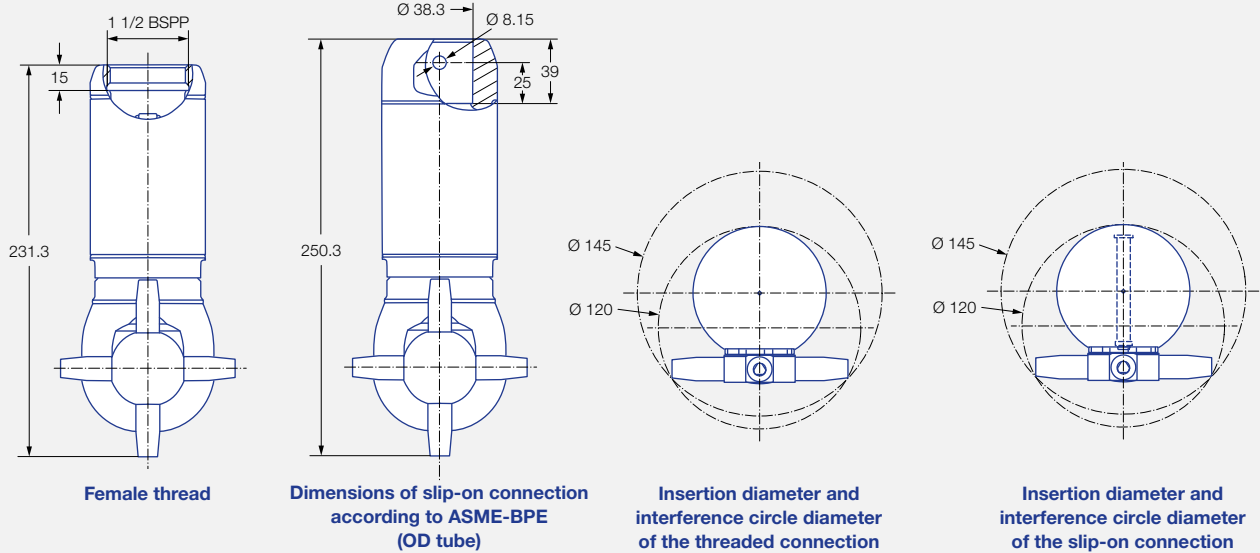
The specified maximum tank diameter applies to the recommended operating pressure and is indicative only. The type of soiling is also decisive for the cleaning result.

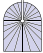


Duration of cleaning cycle



Dimensions in mm.



Spray angle	Ordering no.					Narrowest cross-section \varnothing [mm]	Quantity x \varnothing nozzle [mm]	\dot{V} water [l/min]				\dot{V} water at 5 bar [m ³ /h]	Max. tank diameter [m]
	Type	Connection						p [bar] ($p_{max} = 15$ bar)					
		1 1/2 BSPP		1 1/2" slip-on connection				2.0	3.0	5.0	10.0		
		EPDM	FKM	EPDM	FKM								
360° 	5T5.149.1Y	AS	25	T5	34	4.40	4 x 4.40	70	86	111	157	6.6	15.2
	5T5.219.1Y	AS	25	T5	34	5.55	4 x 5.55	107	131	169	239	10.1	16.5
	5T5.259.1Y	AS	25	T5	34	6.45	4 x 6.45	132	162	209	296	12.5	17.3
	5T5.279.1Y	AS	25	T5	34	7.10	4 x 7.10	150	184	238	336	14.2	17.6
	5T5.299.1Y	AS	25	T5	34	7.75	4 x 7.75	170	209	269	380	16.1	16.9

NPT threads on request.

Information on operation

Compressed air can be used only for a short time for blowing dry.
Use above the recommended pressure will have a negative effect on the cleaning result and wear.

The plus
for large tanks with
persistent soiling
MeshClean+

**ENGINEERING
YOUR SPRAY SOLUTION**



Lechler GmbH · Precision Nozzles · Nozzle Systems
Ulmer Strasse 128 · 72555 Metzingen, Germany · Phone +49 7123 962-0 · info@lechler.de · www.lechler.com

Edition 05/24 · EN · PDF
Subject to technical modifications or mistakes.