

KEY FACTS HIGH IMPACT TANK CLEANING MACHINE MESHCLEAN+

Series 5T5

GENERAL INDUSTRY

MeshClean+

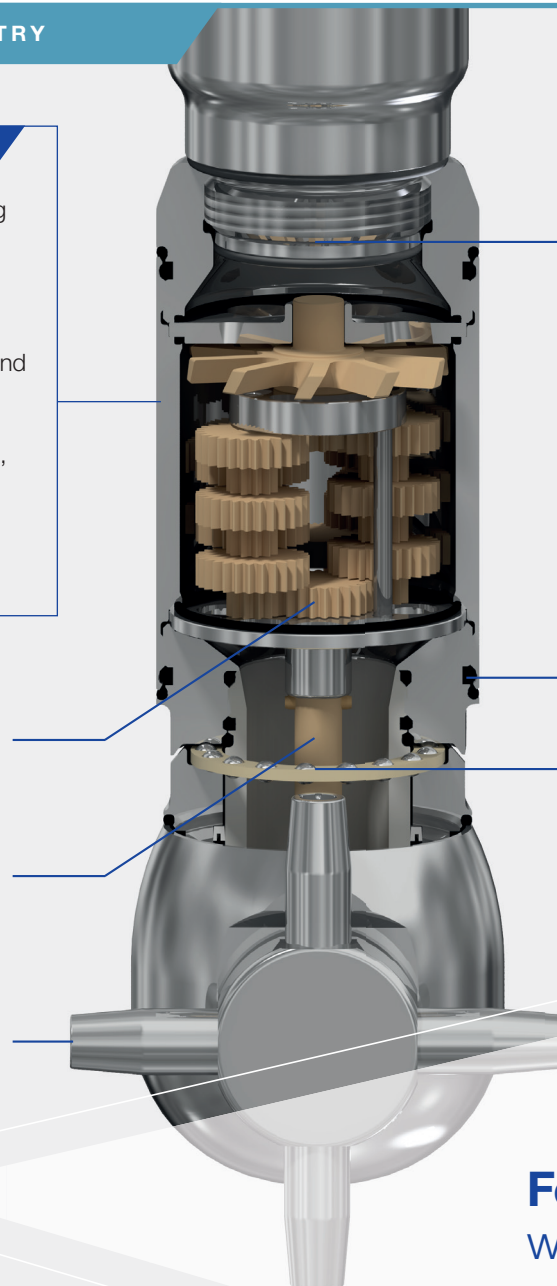
- Reliable and efficient cleaning
- ATEX certified
- Operation with steam approved (SIP)
- Max. temperature 150 °C
- Controlled slow rotation around two axes
- Use of high-quality materials: Stainless steel 1.4404 (316L), PEEK, PTFE and EPDM
- Low maintenance

MeshClean+

Hygienic gearbox due to an open-flow design

Overload clutch protects the gearbox in case of improper use

Specially developed full jet nozzles for powerful cleaning and active self-cleaning



Perfect add

HygienicFit

Advantages of the hygienic connection with the HygienicFit adapter

- Reliably encapsulated thread
- Thread locking by O-rings (EPDM)
- Adapter made of stainless steel 1.4404 (316L)

All threaded connections encapsulated by O-ring pairs

High-quality ball bearings for reliable and low-wear rotation



For large tanks
with persistent soiling